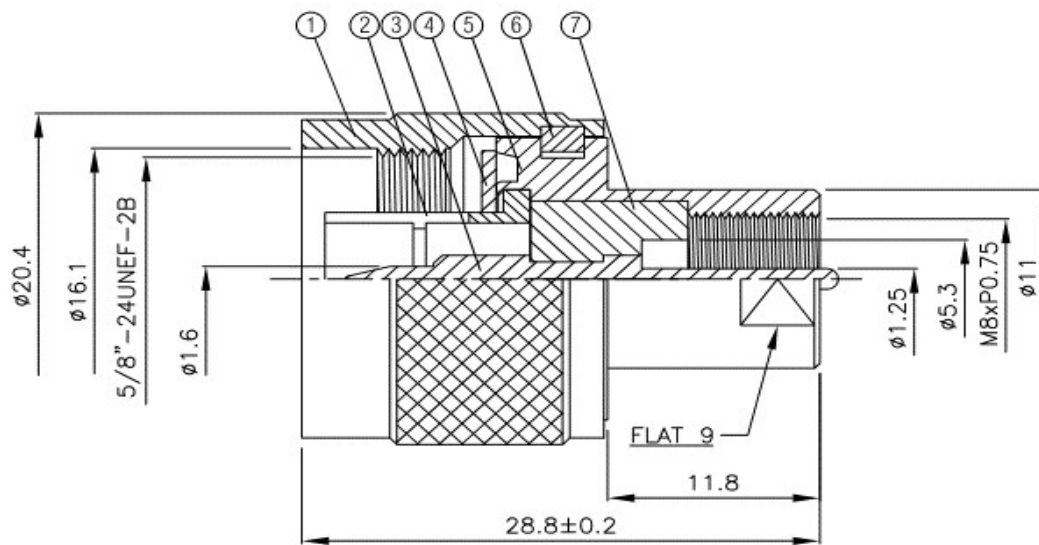
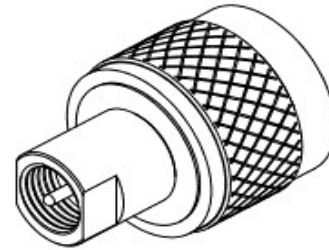


NI - 104 FME / N Stecker



NO	DESCRIPTION	MATERIAL	Q' TY	FINISH
1	SHELL	BRASS	1	NICKEL
2	BODY 1	BRASS	1	NICKEL
3	PIN	BRASS	1	GOLD
4	GASKET	SI RUBBER	1	RUBBER
5	BODY 2	BRASS	1	NICKEL
6	WASHER	PH.BRONZE	1	DELFIN
7	INSULATION	TEFLON	1	TEFLON